

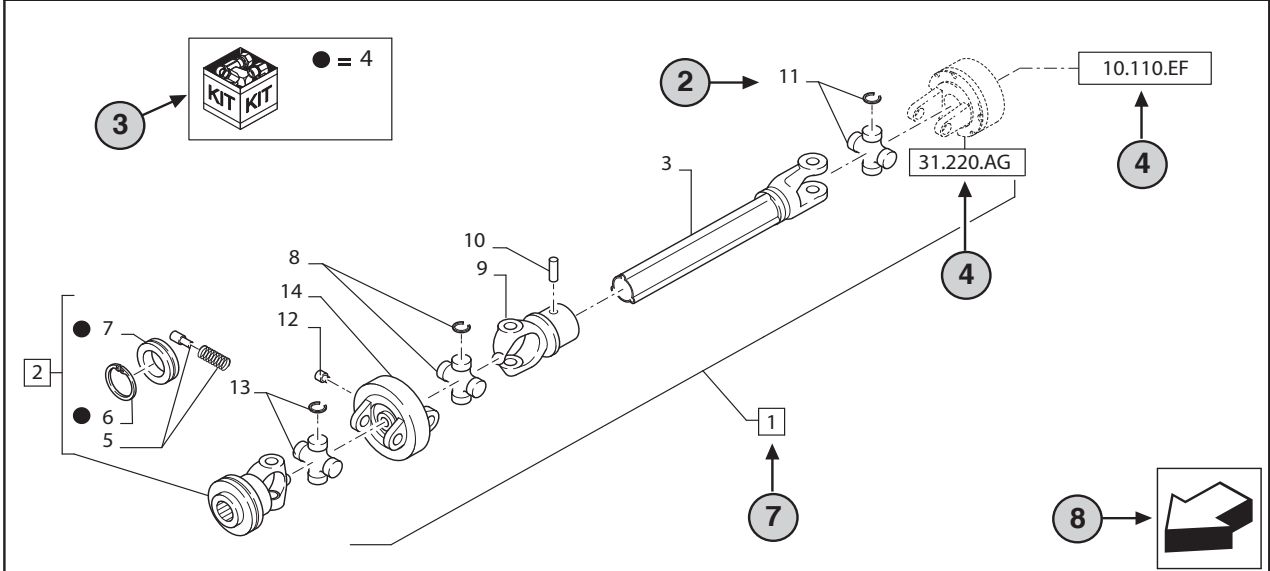
All rights reserved by **CNHi**.

The information contained in this catalogue is intended to be of a general nature only. **CNHi** may at any time and from time to time, for technical or other necessary reasons, modify any of the details or specifications of the product described in this catalogue.

To be sure of getting accurate, detailed and up-to-date information, an intending buyer should consult his nearest **CNHi** dealer or distributor.

Single item numeration method used in this catalogue may not be used without written consent from **CNHi**.

VAR - 123782, 789101,987654 - PTO - D650




**STANDARD** ← (6)

VAR - 123782, 789101,987654 - PTO - D650

(11) (12) (13) (14)

REF	FN	PART NUMBER	YR/SN	QTY	DESCRIPTION
1	1	86529340	(20)	1	SHAFT PTO, Incl 2 - 11
2	(15)	84014007		1	YOKE, Incl 4 -7 ← (7)
3	(16)	NSS		1	NOT SERVICED SEPARATELY, SHAFT, 350mm, Incl in 1
4		84004292		1	KIT, Seal Kit, Incl 6, 7 (17)
4		{84058743}		1	KIT, Seal Kit, Incl 6, 7
(2)	(18)	(19)	(21)	(22)	
		1 = FOR ITALY ONLY ← (5)			

**MODELS** ← (1)

- 1 Model Number and Model Description
- 2 Reference - Figure call-out of the part number.
- 3 Parts supplied in repair kits per symbol reference.
- 4 31.220.AD Part illustrated on the **Page** or in the **Figure** indicated, or calls for **Variations** or **Details**. Indicates components shown in detail elsewhere in the catalogue under the figure number shown.
- 5 Footnote references
- 6 Figure notes
- 7 1 2 Includes item(s) ..... (See Description within partlist).
- 8 Orientation. (Arrow indicates front of the machine). 
- 9 Figure description.
- 10 General information of the figure.
- 11 Figure title number that aligns with the SRT. Standard Repair Time.
- 12 **Sequence** code within the assembly.
- 13 Page number within the sequence code.
- 14 **Date** of printing or updating of page (month-year).
- 15 **Note** - Relating to the Part Number. There is a key to symbols and abbreviations at the bottom of the text page.
- 16 Non-serviced parts.
- 17 Further description of the part to help confirm identification.
- 18 Not available as service part.
- 19 Part Number.
- 20 To be defined.
- 21 Total **Quantity** of the Part referred to in the page.  
The quantity can be replaced by the following indications:  
**AR** = quantity as requested.
- 22 Part **Description**.
- 23 Variant Codes

---

## TABLE OF CONTENTS

---

05.100.03		FILTERS, TC34DA
05.100.03	01	FILTERS, TC31DA
20.01		INITIAL STOCKING LIST (ISL)
01.01		CYLINDER BLOCK
01.02		CAMSHAFT
01.03		CYLINDER HEAD
01.04		CRANKSHAFT & PISTONS
01.05		HEAD COVER
01.06		ROCKER ARM
01.07		TIMING GEAR CASE
01.08		OIL PUMP, WATER PUMP, ALTERNATOR
01.09		ALTERNATOR L/CAB
01.10		STARTING MOTOR
01.11		STARTING MOTOR
01.12		INJECTION PUMP & LINES
01.13		INJECTION PUMP
01.14		FUEL INJECTOR
02.01		RADIATOR
02.01.01		RADIATOR
02.02		FUEL TANK & RELATED PARTS
02.02	01	KIT FUEL FILTER O-RING
02.03		OIL COOLER, HST
02.04		AIR CLEANER
02.04.01		AIR CLEANER
02.05		AIR CLEANER
02.05.01		AIR CLEANER
02.06		MUFFLER
02.07		MUFFLER
02.08		SPARK ARREST ADAPTER KIT
02.09		THROTTLE CONTROLS - HAND HST
02.10		THROTTLE CONTROLS - FOOT 9 X 3
03.01		DOUBLE CLUTCH & CLUTCH CASE, W9 X 3
03.02		DOUBLE CLUTCH W/9 X 3
03.03		CLUTCH & CLUTCH CASE, W/HST

---

## TABLE OF CONTENTS

---

03.04	FRONT TRANSMISSION CASE & SHIFTER, W/9 X 3
03.05	FRONT TRANSMISSION CASE & SHIFTER, W/HST
03.06	FRONT TRANSMISSION DUAL CLUTCH IN PUT SHAFT, W/9 X 3
03.07	FRONT TRANSMISSION GEARS, W/HST
03.08	FRONT TRANSMISSION GEARS W/9 X 3 & W/FWD
03.09	FRONT TRANSMISSION GEARS W/9 X 3 PTO SHAFT
03.10	REAR TRANSMISSION CASE & SHIFTER 9 X 3 & HST
03.11	REAR TRANSMISSION GEARS, W/9 X 3
03.12	REAR TRANSMISSION GEARS, W/HST
03.13	AERATION PARTS
03.14	PTO GEARS
03.15	MID PTO & KIT - 710801013
03.17	HST
03.18	HST CONTROLS & CRUISE CONTROL
03.19	CONTROL LEVERS, TRANSMISSION RANGE, REAR PTO, MID PTO & FWD
03.20	COLUMN SHIFT, W/9 X 3
03.21	PEDALS & BRAKE LOCK (HST & 9 X 3)
04.01	STEERING COLUMN, TILT
04.01.02	STEERING COLUMN BRACKET
04.02	STEERING LINKAGE
04.03	FRONT AXLE, SUPER STEER OR WITH SENSITRACK
04.04	FRONT DRIVE SHAFT & SENSITRACK CLUTCH, W/ SUPER STEER
04.05	FRONT DIFFERENTIAL GEARS, W/FWD & W/SUPER STEER
04.06	FRONT AXLE W/FWD
04.07	FINAL REDUCTION GEARS, W/FWD & SUPERSTEER
04.08	POWER STEERING PUMP
04.08.01	POWER STEERING LINES
04.08.03	POWER STEERING CONTROL MOTOR
04.08.04	POWER STEERING MOTOR BREAKDOWN
04.09	POWER STEERING CYLINDER, W/FWD
04.10	POWER STEERING CYLINDER, W/SUPER STEER
04.11	PARKING BRAKE, HST
04.12	PARKING BRAKE, 9 X 3
05.01	DIFFERENTIAL & DIFFERENTIAL LOCK LINKAGE

---

## TABLE OF CONTENTS

---

05.02		BRAKE & WHEEL SHAFT CASE
05.100.03	04	CAPACITIES, TC31DA, TC34DA, TC35DA
06.01		BATTERY
06.02		ELECTRICAL COMPONENT LOCATION & FUNCTION
06.02.02		FUSES
06.03		HARNESSES
06.04		RELAYS
06.05		DIODES
06.06		SWITCHES,TURN SIGNAL,IGNITION,AUX POWER,OPERATOR'S PRESENCE
06.06.01		SWITCHES, REAR PTO,RANGE GEAR,MID-PTO,PARKING BRAKE,CRUISE CONTROL BRAKE RELEASE
06.06.02		HAZARD FLASHER/TURN SIGNAL CONTROL MODULE & PARK BRAKE SAFETY ALARM BUZZER
06.07		INSTRUMENT PANEL
06.08		DASHBOARD & REAR HOOD
06.09		REAR LIGHTING, RH & LH
06.09.01		REAR TAIL LIGHTS - NORTH AMERICA
06.10		HOOD HEADLAMP & HARDWARE
06.11		REAR WORKLIGHT - FENDER MOUNTED
06.12		WORKLIGHT KIT - ROPS MOUNTED
06.14		TOOLBOX & SUPPORT PLATE
07.01		HYDRAULIC LIFT COVER & ARMS
07.02		LIFT COVER CYLINDER HEAD
07.03		CONTROL VALVE, QUADRANT & LINKAGE L/DRAFT CONTROL
07.04		SINGLE SPOOL REAR, REMOTE CONTROL VALVE KIT, #1 - 718348056
07.05		SINGLE SPOOL REAR, REMOTE CONTROL VALVE KIT, #2 - 718347016
07.06		HYDRAULIC PUMP & PIPING
07.06.01		HYDRAULIC PUMP BREAKDOWN
07.06.02		TRANSMISSION OIL HEATER KIT - 87379951
07.07		HYDRAULIC PIPING W/HST
07.08		HPL CONTROL VALVE ASSEMBLY - SBA340016350 ISM
07.09		HPL CONTROLS
07.10		MANIFOLD DIVERTER BLOCK - SBA340016660
07.11		2-SPOOL REMOTE CONTROL VALVE & PIPING KIT - 710440076
07.12		2-SPOOL REMOTE CONTROL VALVE

---

## TABLE OF CONTENTS

---

08.01	FENDERS
08.02	HOOD
08.02.02	LOWER PLASTIC TRIM
08.02.03	HOOD HINGE & FIREWALL
08.02.04	LH REAR VIEW MIRROR KIT - 718877016
08.03	GRILLE GUARD KIT, STANDARD FRONT AXLE - 719849056
08.03.01	GRILLE GUARD KIT W/SUPERSTEER AXLE - 719849096
08.05	DECALS - IDENTIFICATION - NORTH AMERICA
08.05.01	DECALS - IDENTIFICATION - AUSTRALIA
08.06	DECALS, WARNING
08.07	DECALS, OPERATING
08.08	KIT, FRENCH DECAL - 87573708
09.01	DELUXE THREE-POINT HITCH
09.02.01	DELUXE DRAWBAR ASSEMBLY & CLEVIS
09.03	PTO SHIELD
09.04	DRAWBAR KITS
10.02	STEP PLATE
10.02.01	FLOOR MATS
10.02.02	KITS, RIGHT SIDE 718709066 & LEFT SIDE STEP 710709046
10.03	DELUXE SEAT
10.05	TOOL BOX KIT & SMV
10.06	FOLDABLE ROLL BAR KIT - 710874086 & RELATED PARTS
11.01	FRONT & REAR WHEELS
11.02	FRONT END WEIGHTS - 710215016 & 718215036
11.03	REAR WHEEL WEIGHTS, 105 LBS., AG BAR WHEELS ONLY - 710470026
11.04	REAR WHEEL WEIGHTS, 75 LBS., R4 INDUSTRIAL WHEELS ONLY - 718470036
18.01	DIA KITS
18.02	FRONT WEIGHT CARRIER - 718233016
18.03	BALLAST BOX - 715655006





---

## SECTION INDEX

### GENERAL

---

05.100.03		FILTERS, TC34DA
05.100.03	01	FILTERS, TC31DA
20.01		INITIAL STOCKING LIST (ISL)

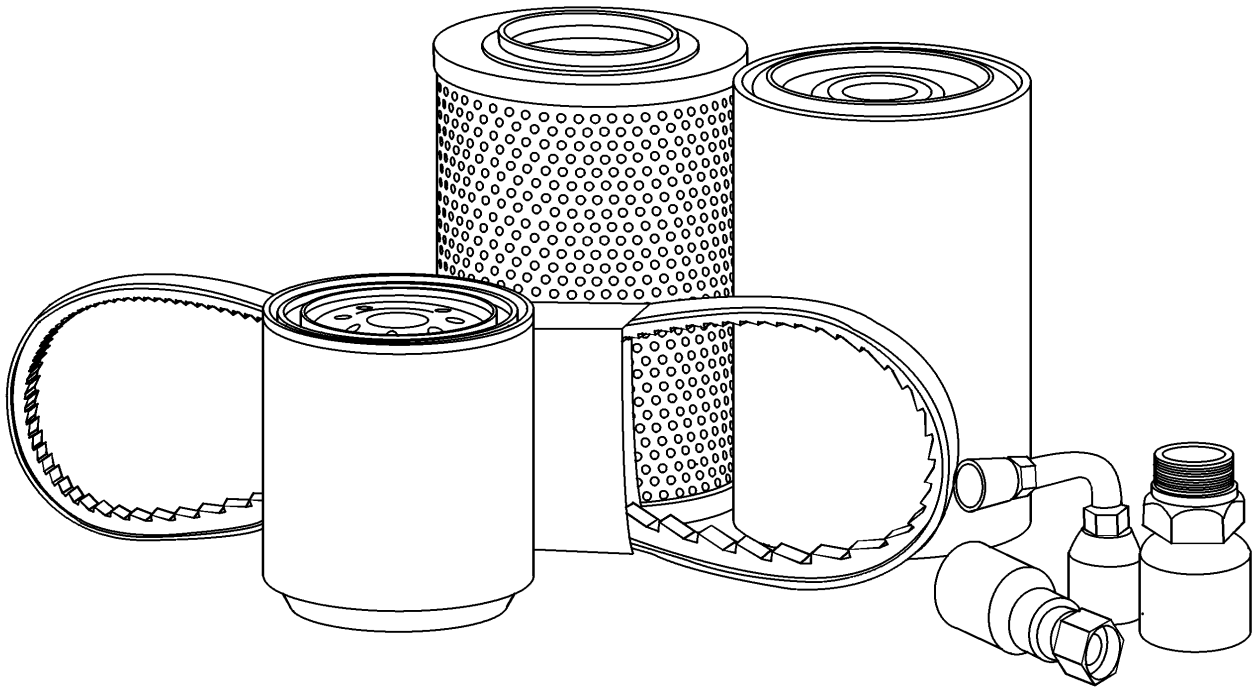


05.100.03

p1

9/2018

FILTERS, TC34DA



**05.100.03**

p1

9/2018

**FILTERS, TC34DA**

<b>REF FN</b>	<b>PART NUMBER</b>	<b>YR/SN</b>	<b>QTY DESCRIPTION</b>
1	84475542		1 ENGINE OIL FILTER Spin On
2	87682998		1 AIR FILTER Primary
3	84539215		1 AIR FILTER Secondary
4	84475483		1 HYDRAULIC OIL FILTER Spin On
5	SBA340501030		1 FILTER Hydrostat
6	SBA360720130		1 ELEMENT Fuel, Cartridge

**TC34DA-3 CYL COMPACT TRACTOR**

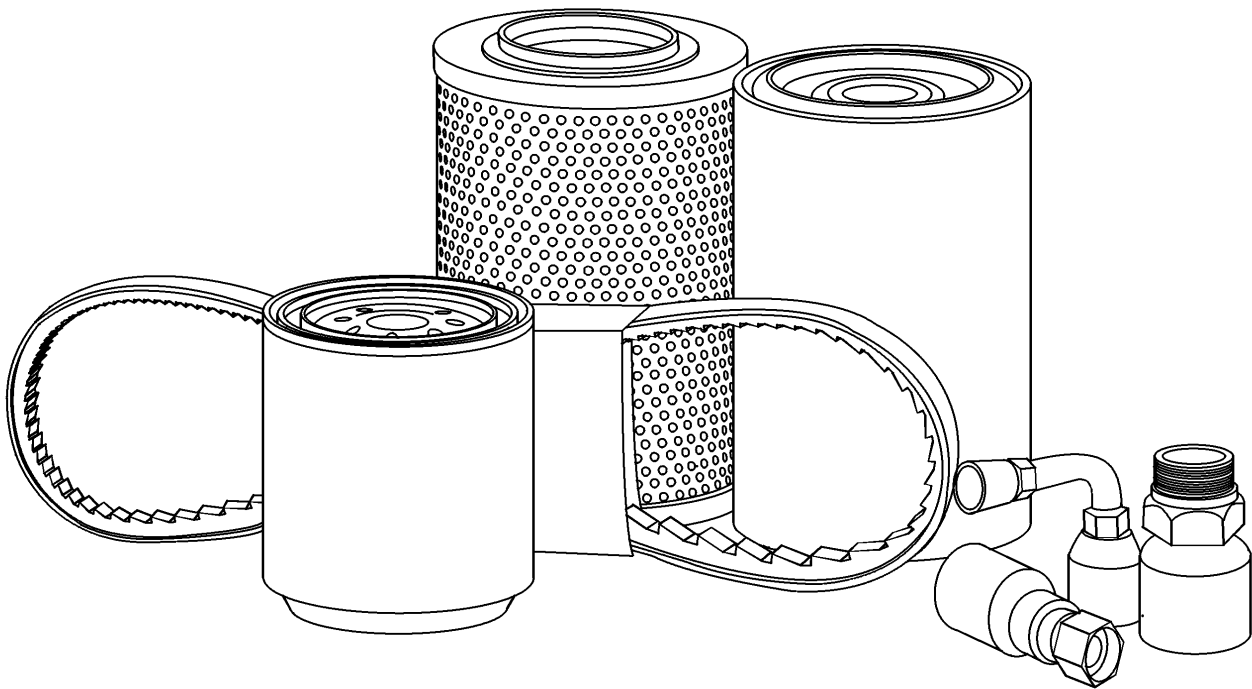
05.100.03

01

p1

9/2018

FILTERS, TC31DA



**05.100.03**

01

p1

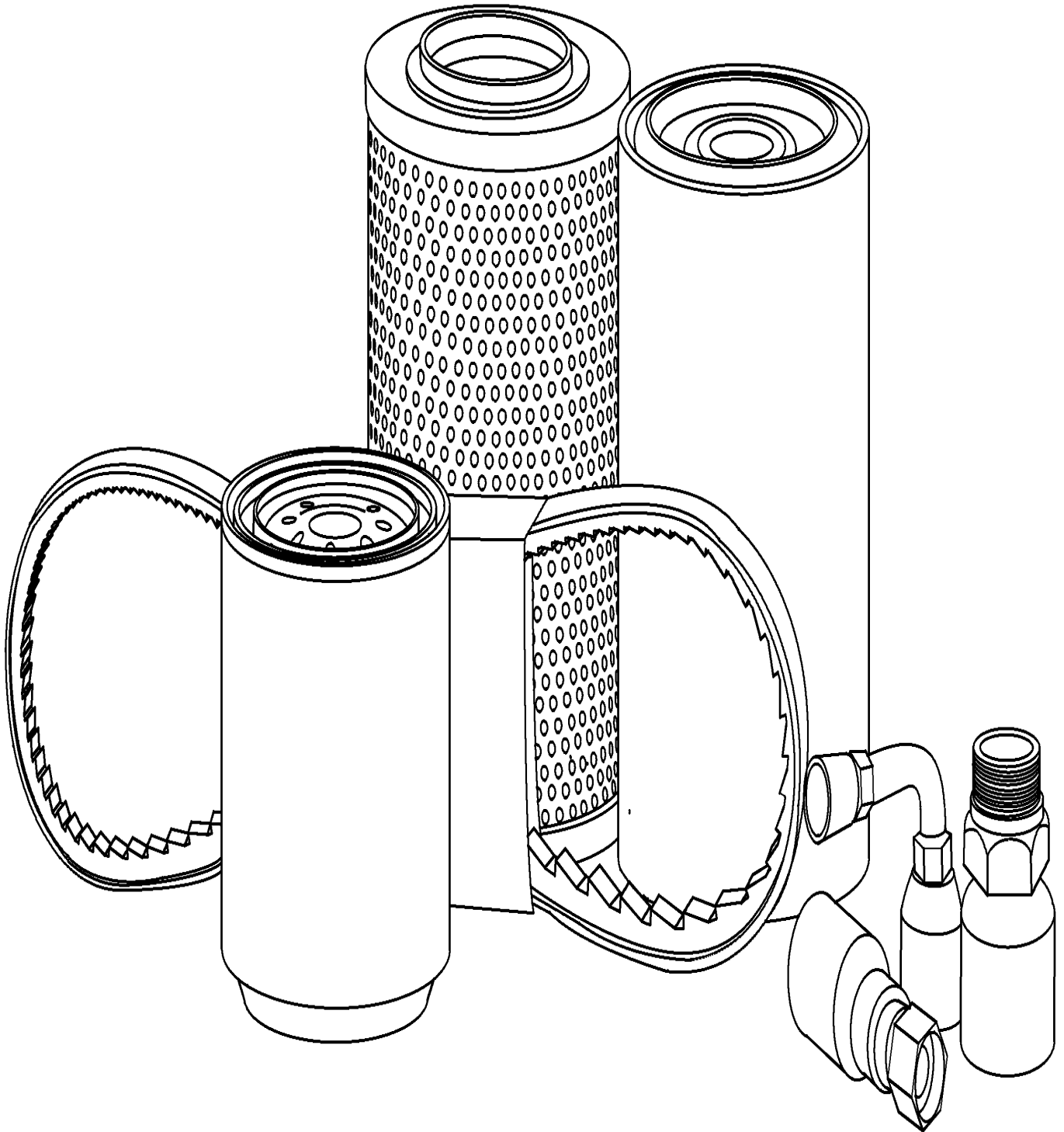
9/2018

**FILTERS, TC31DA**

<b>REF FN</b>	<b>PART NUMBER</b>	<b>YR/SN</b>	<b>QTY DESCRIPTION</b>
1	84475542		1 ENGINE OIL FILTER Spin On
2	87682998		1 AIR FILTER Primary
3	84539215		1 AIR FILTER Secondary
4	84475483		1 HYDRAULIC OIL FILTER Spin On
5	SBA340501030		1 FILTER Hydrostat
6	SBA360720130		1 ELEMENT Fuel, Cartridge

**TC31DA-3 CYL COMPACT TRACTOR**

INITIAL STOCKING LIST (ISL)



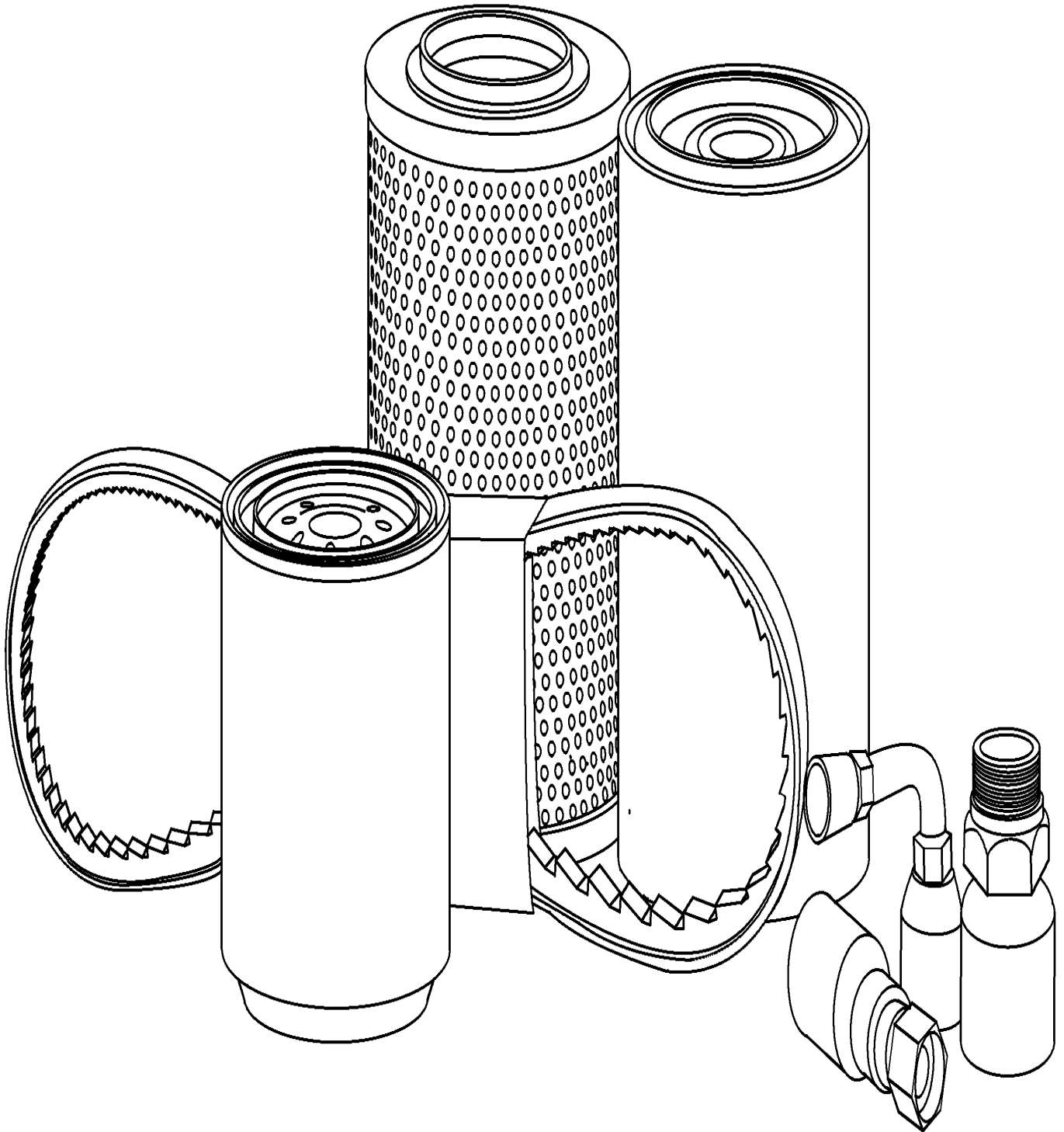
## INITIAL STOCKING LIST (ISL)

REF FN	PART NUMBER	YR/SN	QTY DESCRIPTION
	∅		LIST A - PARTS REQUIRED FOR PREVENTATIVE MAINTENANCE
	87415600		1 ENGINE OIL FILTER
	87300178		1 AIR FILTER Outer
	87300180		1 AIR FILTER Inner
	87300039		1 FUEL FILTER Element
	87300043		1 HYDRAULIC OIL FILTER
	SBA340501030		1 FILTER HST, w/Internal Bypass
	86517954		1 V-BELT 0.50" W x 37.54" L Fan
	∅		LIST B - PARTS REQUIRED FOR PREVENTATIVE MAINTENANCE AND BASIC REPAIR
	SBA185366190		1 GLOW PLUG
	SBA145206220		1 THERMOSTAT 71 Degrees C (160 Degrees F) 1.875" OD x 2.2" H
	SBA185246060		1 SENDER UNIT Engine Oil Pressure
	86537972		1 RELAY All Circuits
	86402702		1 PARK BRAKE SWITCH Safety
	86530877		1 SWITCH Cruise Control Brake Rel
	SBA385200731		1 SWITCH Rear PTO
	86531140		1 SWITCH Safety Mid PTO
	86405634		1 IGNITION SWITCH
	87385234		1 SWITCH Operator's Presence
	5188605		1 BUZZER 12V, 0.7A Park Brake
	SBA385200731		1 SWITCH Range Gear
	SBA312070110		1 CABLE 912mm L Hand Throttle
	SBA312070230		1 CABLE Foot Throttle
	86549878		1 CABLE Control, Parking Brake, Clevis is Part of Cable NSS
	86532881		1 CAP
	87522876		1 RADIATOR CAP

**TC31DA-3 CYL COMPACT TRACTOR TC34DA-3 CYL COMPACT TRACTOR**



INITIAL STOCKING LIST (ISL)



**INITIAL STOCKING LIST (ISL)**

<b>REF FN</b>	<b>PART NUMBER</b>	<b>YR/SN</b>	<b>QTY DESCRIPTION</b>
	139119A1		2 BULB #886, 12V, 50W
	137823A1		2 BULB #9004, 65W/50W
	87300893		1 IGNITION KEY
	86530740		1 SPRING Brake, LH
	86543804		1 SPRING Brake, RH
	86403092		1 FLASHER UNIT

**TC31DA-3 CYL COMPACT TRACTOR TC34DA-3 CYL COMPACT TRACTOR**

---

## SECTION INDEX

### ENGINE

---

01.01	CYLINDER BLOCK
01.02	CAMSHAFT
01.03	CYLINDER HEAD
01.04	CRANKSHAFT & PISTONS
01.05	HEAD COVER
01.06	ROCKER ARM
01.07	TIMING GEAR CASE
01.08	OIL PUMP, WATER PUMP, ALTERNATOR
01.09	ALTERNATOR L/CAB
01.10	STARTING MOTOR
01.11	STARTING MOTOR
01.12	INJECTION PUMP & LINES
01.13	INJECTION PUMP
01.14	FUEL INJECTOR



**Thanks very much for your reading,  
Want to get more information,  
Please click here, Then get the complete  
manual**

**JustClickHere** 

**NOTE:**

**If there is no response to click on the link above,  
please download the PDF document first, and then  
click on it.**

**Have any questions please write to me:  
[admin@servicemanualperfect.com](mailto:admin@servicemanualperfect.com)**